



Auto-transformer

Automatic voltage regulator

UL/cUL listed

SLc model**600E**

2.6 amps
600 VA
600 watts
230 volts

1200E

5 amps
1200 VA
1200 watts
230 volts

Four stage Auto-transformer Voltage Regulator Line Conditioner

This automatic voltage regulator provides stable power even when the ac mains or back-up generator voltage is extremely low or high.

Typical applications

SLc Series conditioners provide low-cost ac line protection for computers, point-of-sale terminals, copiers, data acquisition and control systems, as well as other data processing equipment.

SLc's can also be used to protect low-cost stand-by UPS to prevent discharge of UPS batteries due to low- or high-voltage transfer to inverter.

Key benefits

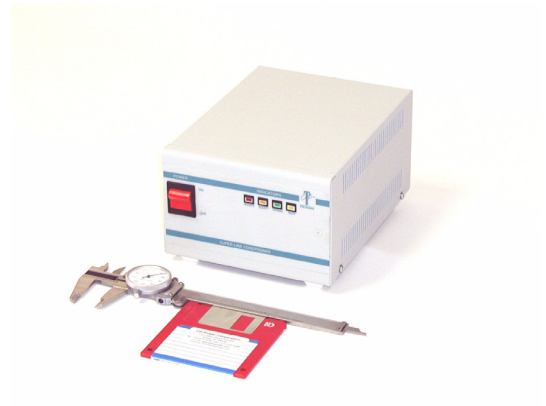
TSi Power's SLc Series regulated output protects switch-mode power supplies from failure caused by unstable ac mains. SLc provides three-way surge protection and reduction of surge voltage.

The SLc line conditioner can be used between a UPS and the ac mains to provide even greater protection for the connected equipment, while saving the UPS's internal batteries for true black-outs.

How the SLc Series works

The SLc Series incorporates a four-winding auto-transformer, which provides four levels of line regulation: two boost-stage and one buck-stage. Even when the input voltage varies between 75 to 150V, the output is regulated to within 105 and 130V, well within the range of most equipment.

SLc operation is monitored by four status LED's, indicating normal, boost 1, boost 2 and buck stages of voltage regulation. The front panel power switch turns the SLc unit on and supplies power to the equipment.



Key features of the SLc Series stabilizing line conditioner

- Four stages of regulated output voltages
- Wide input range
- Multi-mode surge protection
- Quiet operation
- Four ac outlets
- Front panel power switch
- Four status LED display indicators
- High efficiency
- Low cost
- Two year warranty

**TSi Power Corporation**

Represented by
CareBase
Michael Gibson
Post Office Box 2987
Glenwood Springs, CO
81602-2987 USA
Phone +1 970 945 2770
800 430 2770 (USA.CAN)
michaelg@carebase.com
www.carebase.com
Copyright © 2006 TSi

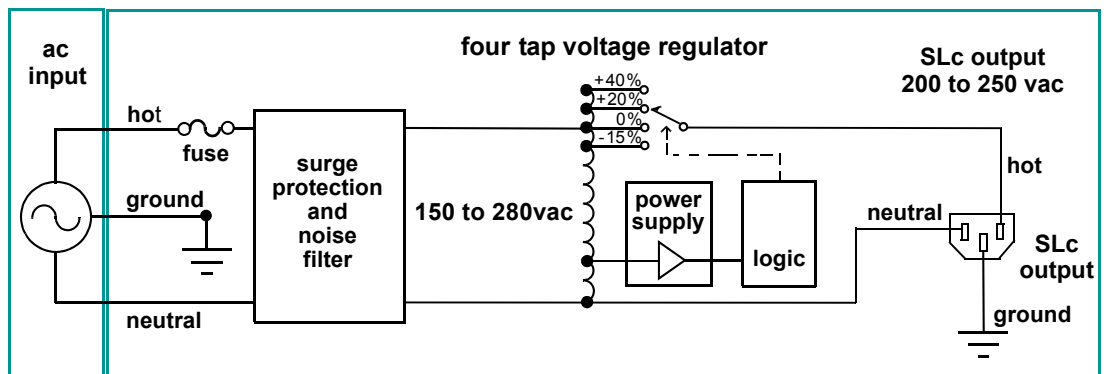


Four stage 230V auto-transformer voltage regulator

Specification	SLc-600E	SLc-1200E	SLc-1800E
Electrical			
Capacity in VA (watts)	600VA (600W)	1200VA (1200W)	1800VA (1800W)
Transformer type	Four winding auto-transformer.		
Input			
Nominal voltage	230 volts ac		
Operating voltage	150 to 280 Volts ac		
Nominal frequency	50/60 Hz		
Ac input cord	6 foot long ac power cord with IEC-320 plug.		
Output			
Ac output voltage	200 to 250 volts ac		
Surge protection	Three-way surge protection system.		
Surge test conditions	Per ANSI/IEEE C62.41-1991 test pulse, Category A3, Ring wave, 6000V, 200A. Test pulse injection: Line-neutral, Line-ground, and Neutral-ground.		
Surge let-through voltages	Remnant Voltage: L-N: 15V, L-G: 15V, N-G: 400V.		
Power efficiency	> 97% at full load.		
Power on/off switch	On/off rocker power switch.		
Response time	Transfers to new stage within 20 cycles of new ac input voltage.		
Transfer time	Less than 4 mS between stages.		
Hysteresis	6V minimum. Prevents unnecessary switch-overs due to momentary ac sags and brownouts.		
Indicators	Four status LEDs indicating normal, boost 1, boost 2, and buck stages of voltage regulation.		
Ac output receptacles	Four IEC-320, (E Option) or two Schuko (EC Option)		
Physical			
Dimensions	152mm(6")wide x 102mm(4.0")high x 203mm(8.0")deep		
Weight	3.6 kg(8 lbs)	5.0 kg(11 lbs)	6.8 kg(15 lbs)
Safety			
Safety Standards	Designed to meet UL, cUL and IEC standards.		
Environmental			
Ambient Temperature	0° to 40°C (32° to 104°F). 10 to 90% relative humidity(non-condensing).		
Warranty			
Warranty	Two year limited warranty, parts and labor.		

TSi's ongoing product improvement process makes specifications subject to change. Other companies product names herein are for identification purposes only, and may be trademarks of their respective companies.

SLc system architecture



TSi Power Corporation
 Represented by
 CareBase
 Michael Gibson
 Post Office Box 2987
 Glenwood Springs, CO
 81602-2987 USA
 Phone +1 970 945 2770
 800 430 2770 (USA.CAN)
 michaelg@carebase.com
 www.carebase.com
 Copyright © 2006 TSi