

# SLT SERIES

**MODEL#: SLT/IA-12X-XXX-XX-X**

Transient Voltage Surge Suppression for standard low speed data (25MHz max), communication and signal line protocols. Unit provides protection against any Transient Voltages that exceed the nominal operating voltage of incoming data. Each line is protected against surge current impulses up to 10kA, based upon circuit configuration.

The **SLT Series** works in series with the communication lines being protected, diverting harmful transient energies to ground while maintaining a tight clamp at the peak voltage. Units are designed to operate in a wide temperature range and can be configured for many different EIA protocols by varying circuit components.

## PRODUCT FEATURES

*Multistage Hybrid Design Utilizing GT's (Gas Tubes) For Industrial Applications, or MOV's (Metal Oxide Varistors) For Commercial Applications In Combination With High Speed SAD's (Silicon Avalanche Diodes)*

*Maximum 12 Circuit Signal Line Protection  
Standard Clamping Voltages Between 7.5V and 220V Available*

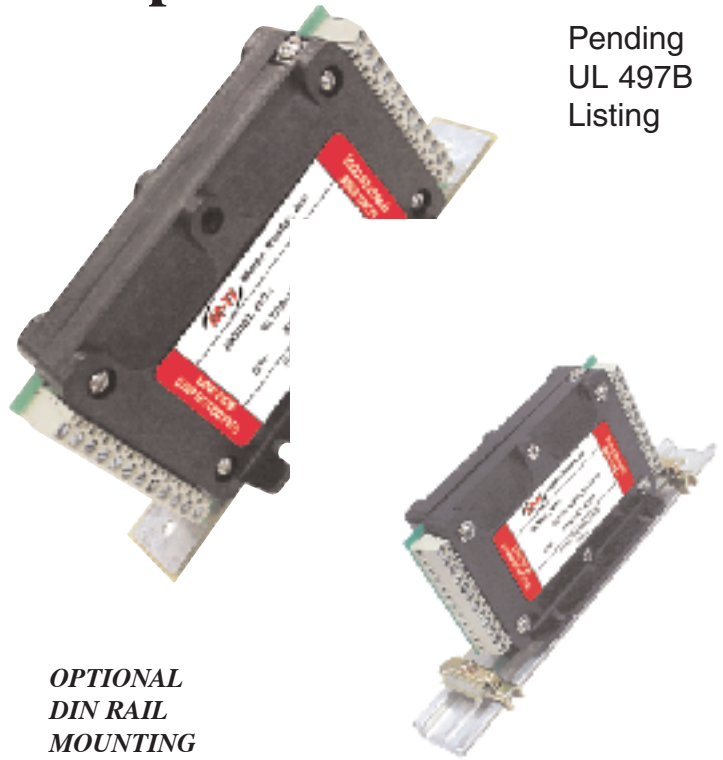
*Optional DIN Rail Mounting Capability  
Grounding Accomplished Through Both Mounting Base Hardware and Screw Lug Connection*

## PERFORMANCE

*Response Time: 15ns  
Maximum Surge Current Per Wire: 10kA  
Maximum Operating Voltages: 1.5-200V DC (depending upon application)  
Maximum Operating Temperature Range: -40° to +85° C*

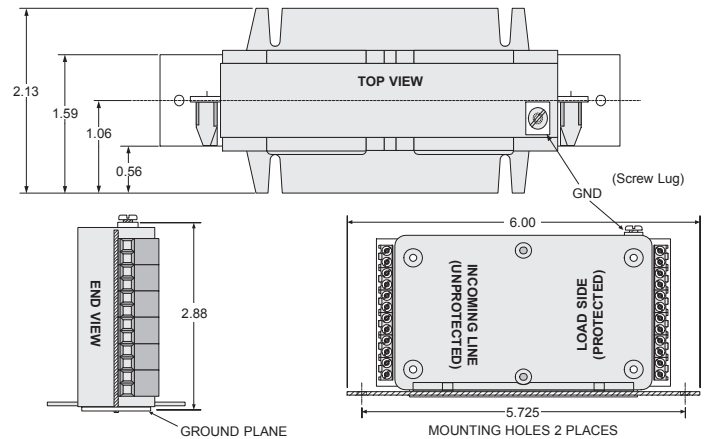
# Specification Sheet

Pending  
UL 497B  
Listing



**OPTIONAL  
DIN RAIL  
MOUNTING**

## MOUNTING INFORMATION



## Ordering Information:

MODEL NUMBER	CLAMP VOLTAGE	MAX. OPERATING VOLTAGE	CONNECTOR TYPE	CONNECTOR UL RATINGS
SLT/IA-12X-XXX-XX-X	7.5V to 220V	1.5V to 200V (or any combination of these voltages up to 12 lines)	Screw Clamp TB's	12-22 AWG, 20A, 300V

State number of wires to be protected. 12 Max.

Other Connector Interfaces available



**Meter-Treater, Inc.**  
Represented Since 1989 By:  
Michael Gibson  
CareBase  
PO Box 2987  
Glenwood Springs, CO 81602

Tel: (970) 945-2770  
Fax: (970) 945-2546  
E-Mail: michael.gibson@carebase.com  
Internet: www.carebase.com