

# TLT SERIES

## Telephone Line Treaters

Secondary Transient Voltage Surge Suppression for Telco line protocols. Units provide protection against Transient Voltages that exceed the nominal operating voltage of Dial-Up, DDS, Dedicated/Leased and T1 Lines. Each line is protected against surge current impulses up to 1.9kA/wire.

The **TLT Series** installs in series with the telephone lines to be protected, diverting harmful transient energies to ground while maintaining close clamping thresholds above normal service voltages. Units are designed to operate in a wide temperature range and can be configured for all standard telephony applications by varying circuit components and/or densities.

### PRODUCT FEATURES

*Multistage Hybrid Design Providing Protection For: Dial-Up, DDS, Dedicated/Leased and T1 Lines.*

*Maximum 8 Circuit Protection*

*Connectors: 8 Pin Modular Jacks or Screw Terminals*

*Standard Clamping Voltages: Between 105 and 270Volts*

*Optional DIN Rail Mounting Capability*

*Grounding Accomplished Through Both Mounting Base Hardware and Screw Lug Connection*

*Anodized Aluminum Case*

### PERFORMANCE

*Response Time: <15ns*

*Maximum Surge Current Per Wire: 1.9kA*

*Series Resistance/Wire: 22ohms*

*Maximum Operating Voltages: 56-148Volts (depends upon application)*

*Maximum Operating Temperature Range: -40° to +85° C*

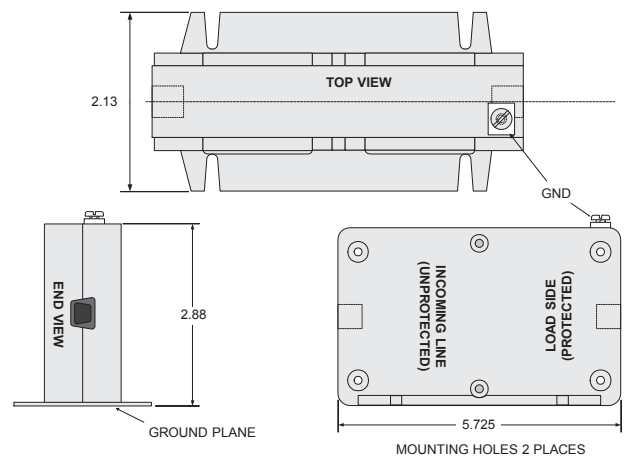
# Specification Sheet

Pending UL 497A Listing



CASE STYLE "A"

### MOUNTING INFORMATION



### Ordering Information:

MODEL NUMBER	CLAMP VOLTAGE	APPLICATION	NUMBER OF WIRES PROTECTED	MAX OPERATING VOLTAGES
TLT/SA-XXO-UDUL-ZZ-A	270 Volts	Dial-Up Line	1 Pair (2 Wires)	190 Volts
TLT/SA-XXO-UT1L-ZZ-A	145 Volts	T1/E1	To 4 Pair (8 Wires)	105 Volts
TLT/SA-XXO-ULDL-ZZ-A	105 Volts	DDS & Leased Lines	NO SHIELD	55 Volts

NOTES: Replace XX with number of wires to be protected. Minimum 2 Maximum 8.  
Replace ZZ with RJ for Modular Jacks (F-F) or TS for Screw Terminal Strips.



**Meter-Treater, Inc.**  
Represented Since 1989 By:  
Michael Gibson  
CareBase  
PO Box 2987  
Glenwood Springs, CO 81602

Tel: (970) 945-2770  
Fax: (970) 945-2546  
E-Mail: michael.gibson@carebase.com  
Internet: www.carebase.com